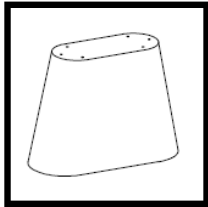
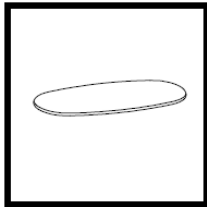


Jade table.

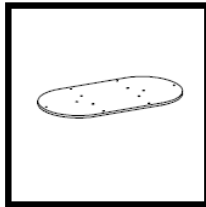
Accessories



1 PIECE



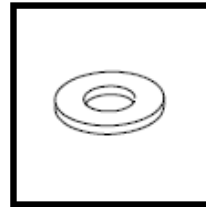
1 PIECE



1 PIECE



12 PIECES
M8*30



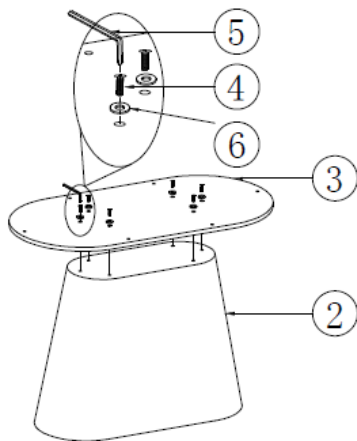
12 PIECES



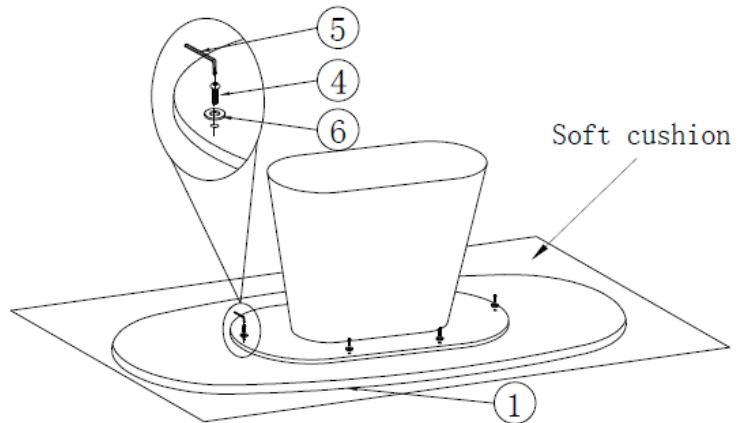
1 PIECE

Instructions

STEP 1



STEP 2



STEP 3

After installing the dining table,
turn it over and place it horizontally.
In case of hitting the ground.

